



Air Top Evo

Air Heater

Specifications

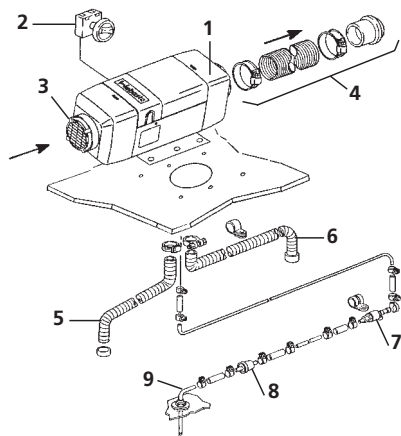
	Air Top Evo 3900	Air Top Evo 5500
Heating power (Btu/h)	5,100 – 13,300	5,100 – 18,700
Fuel	Diesel #1, #2, Arctic, Biodiesel B5 & B20, and Gasoline	
Fuel consumption (gal/h)	0.05 – 0.13	0.05 – 0.19
Rated Voltage (V)	12	12 / 24
Operating Voltage Range (V)	10.5 – 16	10.5 – 16 / 21 - 32
Rated Input (AMPS)	1.25 - 3.75	1.25 – 9.66
Air Flow (cfm)	77.7	117.7
Dimensions LxWxH (in)	16.65 x 5.83 x 6.375	16.65 x 5.83 x 6.375
Weight (lbs)	13	13

Standard Kit Components:

- Air Top 3900 Evo 12V Diesel Kit** Part No: 5001445A
- Air Top 5500 Evo 12V Diesel Kit** Part No: 5001458A
- Air Top 5500 Evo 24V Diesel Kit** Part No: 5001466A

- Integrated Control Unit
- On/Off Switch w/Variable Temperature Control
- Fuel Metering Pump w/Mounting Bracket
- Fuel Line
- Fuel Filter
- Universal Fuel Standpipe
- Heater Mounting Bracket w/Gasket
- Wiring Harness w/Fuse Holder
- Exhaust Tubing
- Combustion Air Tubing
- Heater Ducting
- Air Inlet/Outlet Grills
- Operation/Installation Manual
- 2,000 hour/2 Year Limited Warranty
- 7-Day Comfort Timer (optional)
- Multi-functional Control (optional)

System Schematic



1. Air Top
2. Control Dial
3. Cold Air Inlet
4. Hot Air Outlet/Ducting
5. Combustion Air Inlet
6. Exhaust Outlet
7. Fuel Metering Pump
8. Fuel Filter
9. Fuel Standpipe

*Sleeper, Interior Cargo and Exterior Cargo kits available.
Ask your dealer for more details.