



TSL 17

Coolant Heater

Specifications:

TSL 17

Heating Power (Btu/h)	8,600 – 17,200
Fuel	Diesel #1, #2, Arctic, Biodiesel B5 and B20
Fuel Consumption (gal/h)	0.08 – 0.16
Rated Voltage (V)	12
Rated Input (AMPS)	2.6 – 3.8 (without pump)
Water Flow	2 gal/min at 1.9 PSI
Dimensions LxWxH (in)	9.1 x 4.1 x 6.4
Weight (lbs)	7 (without pump)

Standard Kit Components:

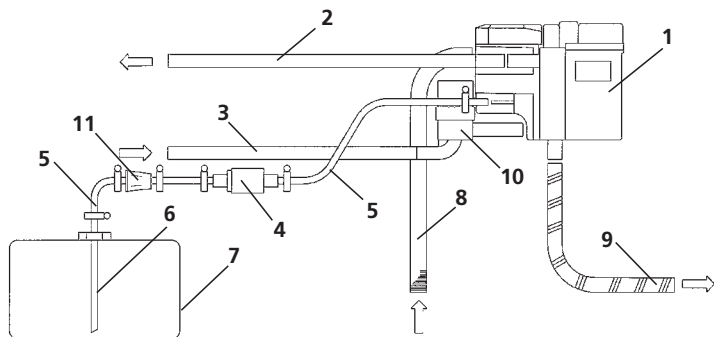
TSL 17 12V Diesel Kit *Part No:* 923369

- Integrated Control Unit
- On/Off Switch
- Fuel Metering Pump w/Mounting Bracket
- Fuel Line
- Fuel Filter
- Universal Fuel Standpipe
- Exhaust Tubing
- Combustion Air Tubing
- Wiring Harness w/ Fuse Holder
- Blink Code Diagnostics and PC Interface Diagnostics
- Operation/Installation Manual
- 2 Year/2000 Hour Limited Warranty

Optional Accessories

- 7-Day Digital Timer (*Engine Preheat*) *Part No:* 906108A
- Timer Mounting Frame (*In Dash*) *Part No:* 474630
- Timer Mounting Bracket (*Under Dash*) *Part No:* 906218
- Heater Mounting Bracket *Part No:* 901088

System Schematic



- 1. TSL 17 Heater
- 2. Heated Coolant Outlet
- 3. Cold Coolant Inlet
- 4. Fuel Pump
- 5. Fuel Line
- 6. Fuel Pickup
- 7. Fuel Tank
- 8. Combustion Air Intake
- 9. Exhaust Tube
- 10. Circulation Pump
- 11. Fuel Filter