



Thermo 50

Coolant Heater

Specifications:

Thermo 50

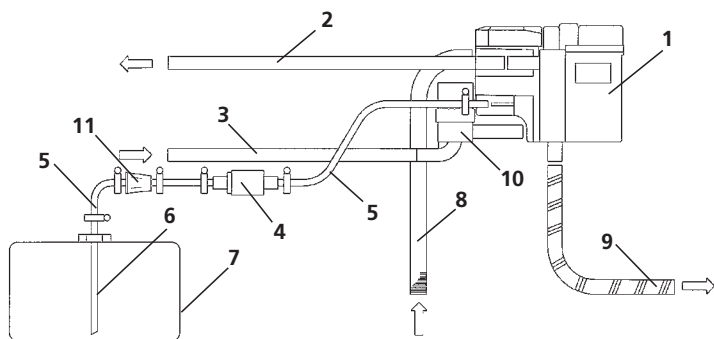
Heating power (Btu/h)	7,500 – 17,000
Fuel	Diesel #1, #2, Arctic, Biodiesel B5 and B20
Fuel consumption (gal/h)	0.07 – 0.16
Rated Voltage (V)	24
Rated Input (AMPS)	1.4 – 2.1 (without pump)
Water Flow	2.2 at 2 PSI
Dimensions LxWxH (in)	9.3 x 4.2 x 7.6
Weight (lbs)	7 (without pump)

Standard Kit Components:

Thermo 50 24V Diesel Kit *Part No: 50000010*

- Integrated Control Unit
- On/Off Switch
- Fuel Metering Pump w/Mounting Bracket
- Fuel Line
- Fuel Filter
- Universal Fuel Standpipe
- Exhaust Tubing
- Combustion Air Tubing
- Wiring Harness w/ Fuse Holder
- Operation/Installation Manual
- 2,000 hr/2 Year Limited Warranty
- 7-Day Digital Timer (*optional*)
- Timer Mounting Frame (*In Dash, optional*)
- Timer Mounting Bracket (*Under Dash, optional*)
- Heater Mounting Bracket (*optional*)

System Schematic



- | | |
|--------------------------|--------------------------|
| 1. Thermo 50 Heater | 6. Fuel Pickup |
| 2. Heated Coolant Outlet | 7. Fuel Tank |
| 3. Cold Coolant Inlet | 8. Combustion Air Intake |
| 4. Fuel Pump | 9. Exhaust Tube |
| 5. Fuel Line | 10. Circulation Pump |
| | 11. Fuel Filter |