



Thermo 90 ST

Coolant Heater

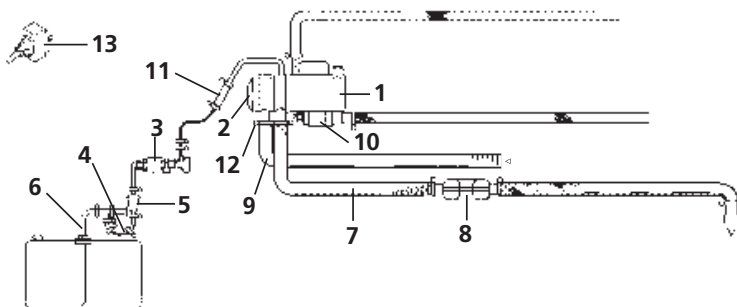
Specifications:

	Thermo 90 ST	
Heating Power (Btu/h)	6,100 – 26,000	<i>Boost:</i> 31,000
Fuel	Diesel #1, #2, Arctic, Biodiesel B5 & B20	
Fuel Consumption (gal/h)	0.06 – 0.24	<i>Boost:</i> 0.28
Rated Voltage (V)	12 / 24	
Rated Input (AMPS)	3.0 – 6.9	
Water Flow	7.3 gal/min at 2.2 PSI	
Dimensions LxWxH (in)	15.75 x 7.5 x 14	
Weight (lbs)	35 (with enclosure)	

Standard Kit Components:

Thermo 90 ST Compact 12V Diesel Kit	<i>Part No:</i> 5001224A
Thermo 90 ST Compact 24V Diesel Kit	<i>Part No:</i> 5001233A
Thermo 90 ST Enclosed 12V Diesel Kit	<i>Part No:</i> 5001226A
Thermo 90 ST Enclosed 24V Diesel Kit	<i>Part No:</i> 5001232A
Integrated Control Unit	
Fuel Metering Pump w/Mounting Bracket	
Fuel Line w/Couplers and Clamps	
Fuel Filter	
Universal Fuel Standpipe	
Fuel Pump Power Harness	
Wiring Harness w/On/Off Switch and Fuse Block	
Exhaust Muffler w/Mounting Hardware	
Weather Protective Heater Enclosure	
Magnetic Drive Coolant Pump	
Blink Code Diagnostics and PC Interface Diagnostics	
Operation/Installation Manual	
2 Year/2000 Hour Limited Warranty	

System Schematic



- | | |
|----------------------------|----------------------------|
| 1. Webasto Thermo 90 ST | 7. Exhaust Tubing |
| 2. Electronic Control Unit | 8. Muffler |
| 3. Fuel Metering Pump | 9. Air Intake Tubing |
| 4. Fuel Line | 10. Water Circulating Pump |
| 5. Fuel Filter | 11. Fuel Line Coupler |
| 6. Fuel Standpipe | 12. Clamp |
| | 13. On/Off Switch |

Optional Accessories for Compact and Enclosure Kits

7-Day Digital Timer w/Alarm - Model 1531 *Part No:* 905797

Optional Accessories for Enclosure Kits

Mounting Bracket Kit - Cross Frame *Part No:* 600055

Mounting Bracket Kit - Perpendicular *Part No:* 905822