

Air Top 3500 ST



Specifications

Heat Rating:

Output:

From: 5,100 Btu/h (1.5 kW)
To: 12,000 Btu/h (3.5 kW)

Fuel Type:

Diesel #1, #2, Arctic, Biodiesel (up to 20%)

Fuel Consumption:

From: 0.05 gal/h (0.19 l/h)
To: 0.09 gal/h (0.35 l/h)

Rated Voltage: 12 Volts

Power Consumption @ 12 Volts:

From: 1.25 Amps (15 W)
To: 2.75 Amps (33 W)
Start: 7.90 Amps (95 W)

Hot Airflow (unrestricted):

From: 39 cfm (67 m³/h)
To: 78 cfm (132 m³/h)

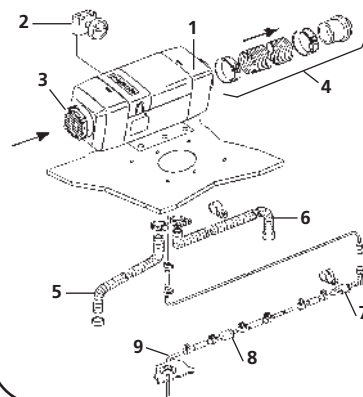
Dimensions:

L 16-3/4" x W 5-13/16" x H 6-3/8"
L 425mm x W 148mm x H 162mm

Weight: 13.0 lbs. (5.9 kg)

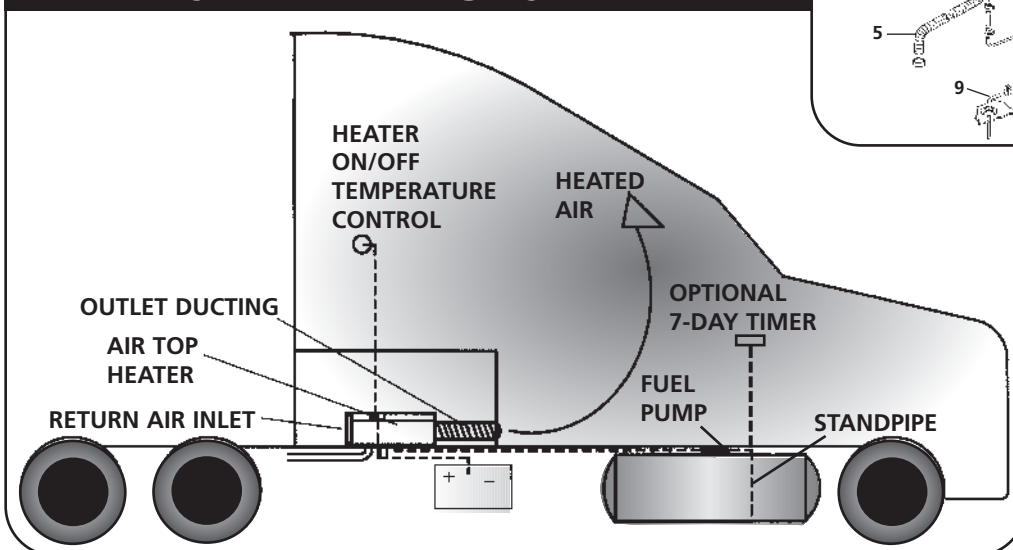
Technical data is subject to +/- 10% variance

Webasto Forced Air Heater AT 3500 ST System Schematic



1. Webasto Air Heater
2. Control Dial
3. Cold Air Inlet
4. Hot Air Outlet
5. Combustion Air Inlet
6. Exhaust Outlet
7. Fuel Metering Pump
8. Fuel Filter
9. Fuel Standpipe

Auxiliary Air Heating System

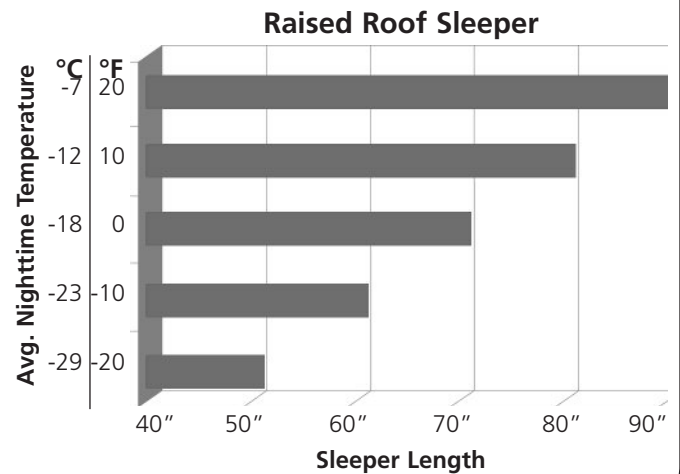
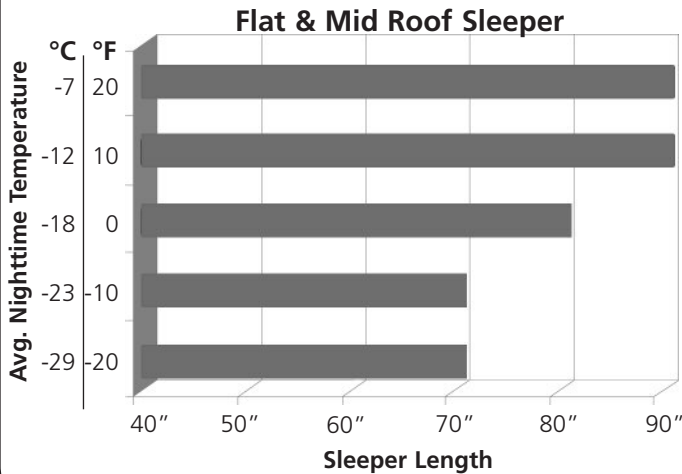


Performance Guide

Auxiliary Air Heater Performance Guide - Air Top 3500 ST

 Air Top 3500 ST

Based on the size of sleeper, and the average nighttime temperature, the guide below will help you select the right Webasto air heater.



Base heater selection on average nighttime temperatures, not extreme.

Standard Kit Components

- Part Number **5001192A**
- Integrated Control Unit
- On/Off Switch w/Variable Temperature Control
- Fuel Metering Pump w/Mounting Bracket
- Fuel Line and Fuel Filter
- Universal Fuel Standpipe
- Heater Mounting Bracket w/Gasket
- Wiring Harness w/ Fuse Holder
- Exhaust Tubing
- Combustion Air Tubing and Heater Ducting
- Air Inlet/Outlet Grills
- Blink Code Diagnostics
- PC Interface Diagnostics
- Operation/Installation Manual
- 2 Year Limited Warranty

Optional Accessories

7-Day Comfort Timer (Optional)	Part No. 88206A
Remote Temperature Sensor	Part No. 93205A
* Cab Over Engine requires additional hardware,	Part No. 905555.
* Kenworth T2000 & Western Star Constellation requires special floor installation kit,	Part No. 907627

Webasto Product North America, Inc.
15083 North Rd.
Fenton, Michigan 48430
Phone (810) 593-6000
Fax (810) 593-6001
www.webasto.us
www.techwebasto.com